

Oil-free Floating Scroll Electric Pump

SCF-50

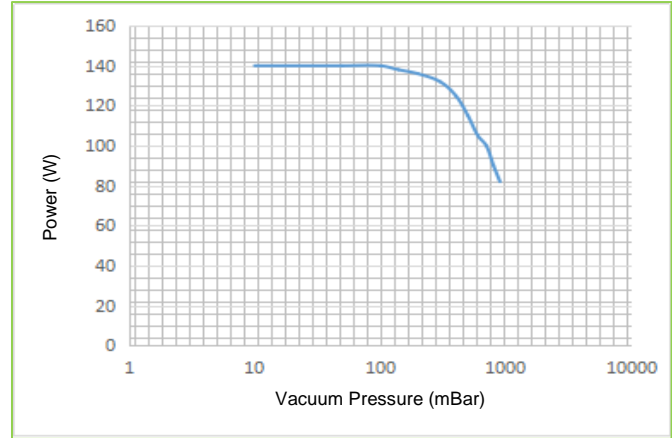
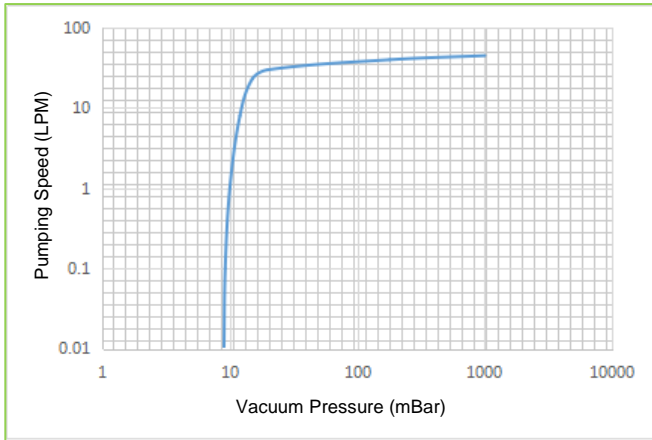
- ❑ Patent protected Floating Scroll Technology
- ❑ 100% Oil-free
- ❑ Maintenance free
- ❑ The pump's min exhaust speed is 45L/min
- ❑ The pump's max pressure ≤ 1.0 kPa
- ❑ Small size, simple structure, low vibration and low noise
- ❑ Application: New energy vehicle braking system



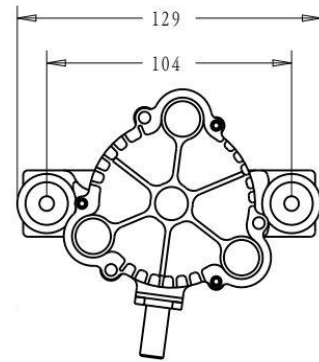
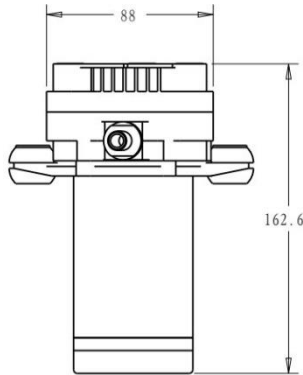
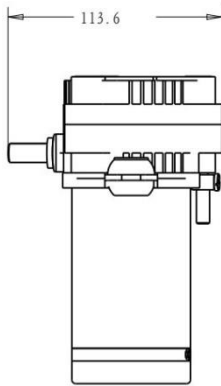
Technical Data

Item	Unit	SCFC-50
Exhaust speed	L/min	≥ 45
Max Pressure	kPa	≤ 1.0
Boosting time (4L)	s	to 50% ambient pressure: 3.2s to 30% ambient pressure: 7.5s
Transmission Method		Direct Drive
Ambient Temperature	$^{\circ}\text{C}$	$-40^{\circ}\text{C} \sim 80^{\circ}\text{C}$
Noise	dB(A)	≤ 60
Rated Motor Power	W	≤ 140
Max RPM	RPM	5000
Motor Type		Brushed DC Motor
Rated Voltage	V	12 VDC
Weight	kg	≤ 1.5
Protection level		IP67
Inlet Connection	mm	$\varnothing 10$
Dimensions	mm	129×113×163

Performance Curve



Dimension and physical map



Website: www.scrollabs.com Phone: +1 (630) 783-2608 Fax: +1 (630) 783-2609 Email: infousa@scrollabs.com Address: 479 Quadrangle Drive, Suite G, Bolingbrook, IL 60440, USA